

The **Finishing** Touch

SV-Burr
Premium Carbide Burrs



VARGUS is a world leading developer, manufacturer, and supplier of high-quality, precision threading, grooving, turning and hand deburring tools and has been at the forefront of the tooling industry now for more than **60 years**.



Established in 1960, **VARGUS** is the cutting tools division of the **NEUMO Ehrenberg Group**, a multinational organization headquartered in Germany.

The NEUMO Ehrenberg Group is one of Europe's largest privately owned manufacturers and distributors of industrial stainless steel products, stainless steel flow equipment and metal cutting tools. A customer-focused organization, **VARGUS Ltd.** is committed to providing products and solutions of the highest quality and excellent value, and is renowned for its technical expertise and uncompromising service.

The company's major product lines are:

VARDEX | for Thread Turning, Thread Milling, Tapping, Whirling & Gear Milling solutions.

GROOVEX | provides a wide range of internal and external grooving, boring and turning applications.

SHAVIV | is a world leader in hand-deburring solutions for a wide range of metal, plastic and wood materials.

The new SV-Burr line of premium carbide burrs by SHAVIV was launched in 2023.

SV-Burr | The New Line of Premium Carbide Burrs

The new SV-Burr line from SHAVIV includes a wide range of Tungsten Carbide tools which are used to remove burrs (deburring) and smoothen sharp metal edges when cutting or machining processes are completed.

Features and Benefits:

- Wide range of Tungsten Carbide burrs - Up to three times stronger than High Speed Steel (HSS)
- Compatible with hand-held tools or CNC machines
- Used widely in industries such as: Metal working, tool and jewelry making, engineering, deburring, grinding, welding, carving, casting, sculpting, and cylinder head porting
- SV-Burrs successfully tolerate extreme applications and perform better at high temperatures
- New technologies provide optimum efficiency and expanded range of deburring solutions
- Unique geometrical designs cover a variety of teeth and cutting shapes
- Meets increased market demands to deburr stainless steel, steel, cast steel and complex applications
- Optimum adaptation and longer tool life

SV-BURR: Most Popular Industries and Markets



Aviation



Automotive



Casting and Foundry



Deburring

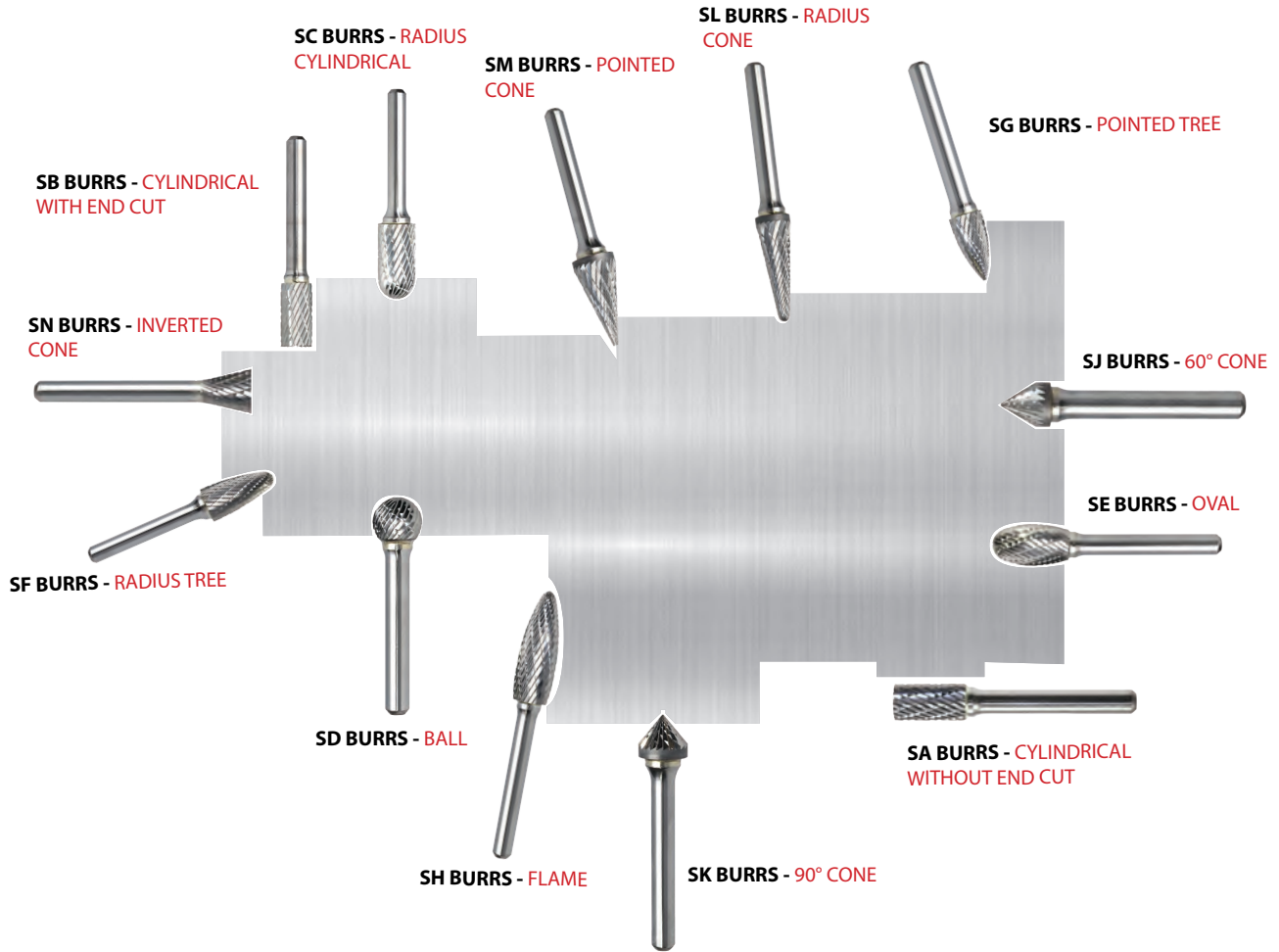


Shipbuilding



Weld Preparation
and Removal

SV-BURR: Geometries & Applications



SV-BURR: Ordering Code System

SA	3	L6	SV	M	DC
1	2	3	4	5	6

1. Burr Shape	2. Dimensions/ Reference Code	3. Shank Length	4. Product Name	5. Type	6. Cut Type
SA - Cylindrical Shape without End Cut SB - Cylindrical Shape with End Cut SC - Radius Cylindrical SD - Ball SE - Oval SF - Radius Tree SG - Pointed Tree SH - Flame SJ - 60° Cone SK - 90° Cone SL - Radius Cone SM - Pointed Cone SN - Inverted Cone	See each catalog page with specific shape	None - (Standard) L3/L6 - Long Shank	SV = SV-Burr	M - Metric I - Inch	DC - Double-cut FM - Aluminum-cut

SV-BURR: Recommendations and Applications

Speed Range:

- Operate the burr within the limits of the recommended speed range
- Running below the optimum speed may cause chipping
- Running above recommended speed will cause tooth wear
- Harder materials or gummy metals such as Titanium, require slower speeds

Do's:

- Choose the correct shape, diameter and cut style for each specific application
- Set the maximum length of the burr in the collet
- Slow down the speed for extra-long burrs, and do not exceed more than 15,000 RPM
- When selecting the appropriate air tool, ensure that it is regularly maintained
- Check the air tool before use to ensure it is running correctly
- Hold the air tool firmly and securely fix the workpiece
- Apply smooth cutting action with continuous movement
- Use light pressure and let the **SV-Burr** do the job!

Dont's :

- Do not use the burr above the Maximum Operating Speed (See the Recommended Speed Guide on page 6)
- Do not use the burr too slowly (See the Recommended Speed Guide on page 6)
- Do not expose the burr to excessive mechanical or thermal shock
- Do not drop the burr to more than one third of its periphery
- Do not clog the burr into gaps, pockets, grooves, crevices or cavities
- Avoid overheating to ensure that the brazed burr will not soften or detach the head from the shank *

* Note: This applies to burrs with a larger head diameter than shank diameter.

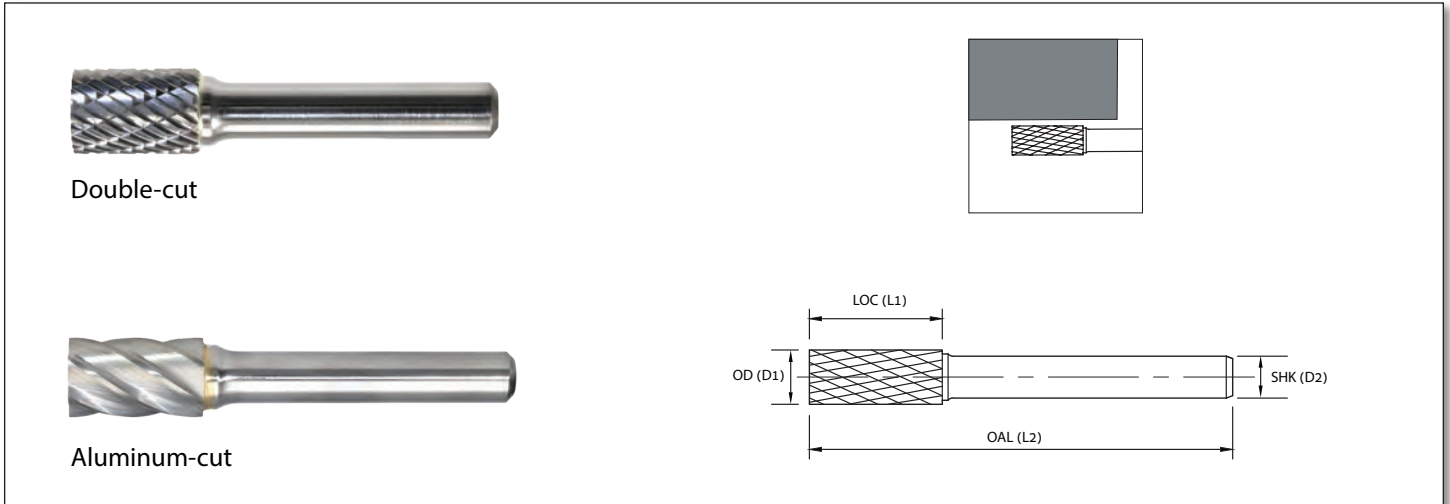
Recommended Speed Guide

The chart below provides general and comparative recommendations. To reach desired results, you may need to try a few variations. Long shank burrs should be used at reduced speeds.

Burr Diameter mm (Inch)	RPM
3mm (1/8") Solid Carbide	45,000 - 50,000
5mm (3/16") Solid Carbide	35,000 - 40,000
5mm (3/16") Carbide Head Brazed to 3mm (1/8") Steel Shank	30,000 - 35,000
6mm (1/4") Solid Carbide	30,000 - 35,000
6mm (1/4") Carbide Head Brazed to 3mm (1/8") Steel Shank	25,000 - 30,000
8mm (5/16") Carbide Head Brazed to 6mm (1/4") Steel Shank	25,000 - 30,000
10mm (3/8") Carbide Head Brazed to 6mm (1/4") Steel Shank	25,000 - 30,000
11mm (7/16") Carbide Head Brazed to 6mm (1/4") Steel Shank	20,000 - 25,000
12mm (1/2") Carbide Head Brazed to 6mm (1/4") Steel Shank	20,000 - 25,000
16mm (5/8") Carbide Head Brazed to 6mm (1/4") Steel Shank	15,000 - 20,000
18mm (3/4") Carbide Head Brazed to 6mm (1/4") Steel Shank	15,000 - 20,000
25mm (1") Carbide Head Brazed to 6mm (1/4") Steel Shank	12,000 - 18,000

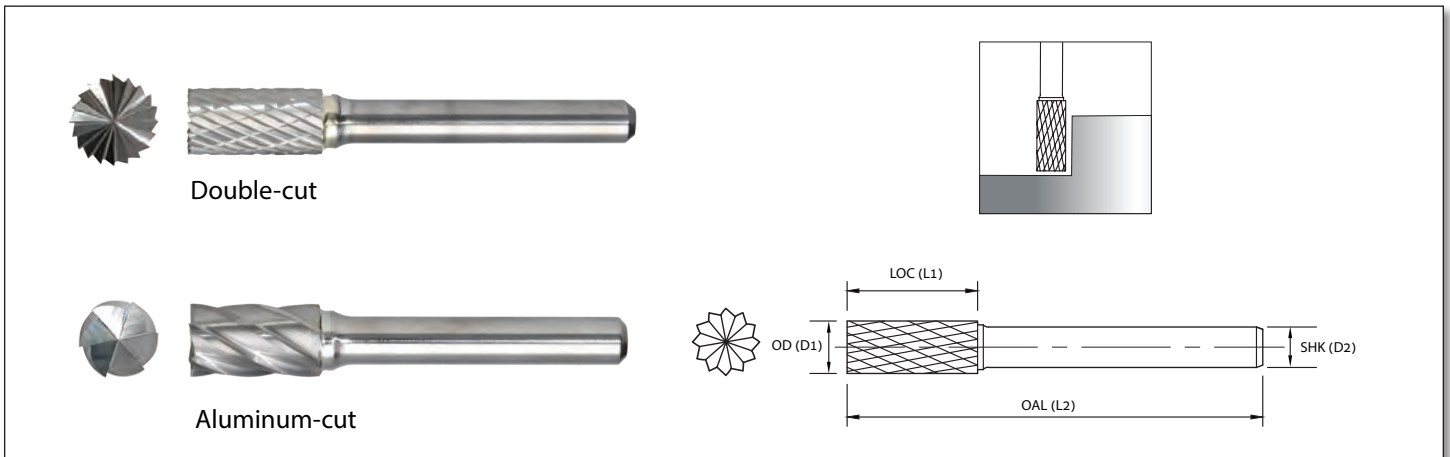


SA BURRS - CYLINDRICAL SHAPE WITHOUT END CUT



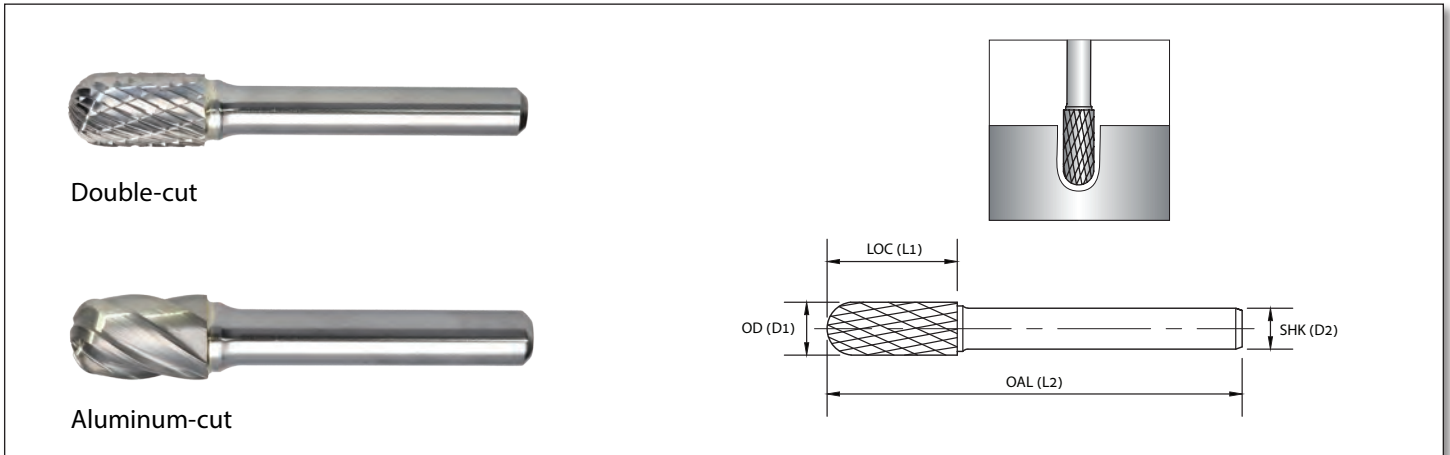
EDP Number	Ordering Code	Description	Dimensions			
			OD	LOC	SHK	OAL
			(D1)	(L1)	(D2)	(L2)
			mm			
29300	SA-42SVMDC	SA Burrs - Cylindrical Shape without End Cut	2.5	11	3	38
29301	SA-51SVMDC	SA Burrs - Cylindrical Shape without End Cut	6.3	12.7	3	50
29302	SA-1SVMDC	SA Burrs - Cylindrical Shape without End Cut	6	16	6	50
29303	SA-2SVMDC	SA Burrs - Cylindrical Shape without End Cut	8	19	6	64
29304	SA-3SVMFM	SA Burrs - Cylindrical Shape without End Cut	9.5	19	6	64
29305	SA-3SVMDC	SA Burrs - Cylindrical Shape without End Cut	9.5	19	6	64
29306	SA-5SVMFM	SA Burrs - Cylindrical Shape without End Cut	12.7	25	6	70
29307	SA-5SVMDC	SA Burrs - Cylindrical Shape without End Cut	12.7	25	6	70
29308	SA-6SVMDC	SA Burrs - Cylindrical Shape without End Cut	16	25	6	70
			Inch			
29403	SA-1SVIFM	SA Burrs - Cylindrical Shape without End Cut	1/4	5/8	1/4	2
29404	SA-1SVIDC	SA Burrs - Cylindrical Shape without End Cut	1/4	5/8	1/4	2
29405	SA-14SVIDC	SA Burrs - Cylindrical Shape without End Cut	3/16	5/8	1/4	2
29406	SA-3SVIDC	SA Burrs - Cylindrical Shape without End Cut	3/8	3/4	1/4	2-1/2
29407	SA-3SVIFM	SA Burrs - Cylindrical Shape without End Cut	3/8	3/4	1/4	2-1/2
29408	SA-3L6SVIDC	SA Burrs - Cylindrical Shape without End Cut	3/8	3/4	1/4	6-3/4
29409	SA-43SVIDC	SA Burrs - Cylindrical Shape without End Cut	1/8	9/16	1/8	1-1/2
29410	SA-5SVIDC	SA Burrs - Cylindrical Shape without End Cut	1/2	1	1/4	2-3/4
29411	SA-5SVIFM	SA Burrs - Cylindrical Shape without End Cut	1/2	1	1/4	2-3/4
29412	SA-5L6SVIDC	SA Burrs - Cylindrical Shape without End Cut	1/2	1	1/4	7
29413	SA-6SVIDC	SA Burrs - Cylindrical Shape without End Cut	5/8	1	1/4	2-3/4

SB BURRS - CYLINDRICAL SHAPE WITH END CUT



EDP Number	Ordering Code	Description	Dimensions			
			OD	LOC	SHK	OAL
			(D1)	(L1)	(D2)	(L2)
			mm			
29309	SB-43SVMDC	SB Burrs - Cylindrical Shape with End Cut	3	14	3	38
29310	SB-43 L3 SVMDC	SB Burrs - Cylindrical Shape with End Cut	3	14	3	75
29311	SB-1SVMDC	SB Burrs - Cylindrical Shape with End Cut	6	16	6	50
29312	SB-2SVMDC	SB Burrs - Cylindrical Shape with End Cut	8	19	6	64
29313	SB-3SVMFM	SB Burrs - Cylindrical Shape with End Cut	9.5	19	6	64
29314	SB-3SVMDC	SB Burrs - Cylindrical Shape with End Cut	9.5	19	6	64
29315	SB-3 L6 SVMDC	SB Burrs - Cylindrical Shape with End Cut	9.5	19	6	169
29316	SB-5SVMFM	SB Burrs - Cylindrical Shape with End Cut	12.7	25	6	70
29317	SB-5SVMDC	SB Burrs - Cylindrical Shape with End Cut	12.7	25	6	70
29318	SB-5 L6 SVMDC	SB Burrs - Cylindrical Shape with End Cut	12.7	25	6	175
29319	SB-6SVMDC	SB Burrs - Cylindrical Shape with End Cut	16	25	6	70
			Inch			
29414	SB-1SVIDC	SB Burrs - Cylindrical Shape with End Cut	1/4	5/8	1/4	2
29415	SB-1SVIFM	SB Burrs - Cylindrical Shape with End Cut	1/4	5/8	1/4	2
29416	SB-3SVIDC	SB Burrs - Cylindrical Shape with End Cut	3/8	3/4	1/4	2-1/2
29417	SB-3SVIFM	SB Burrs - Cylindrical Shape with End Cut	3/8	3/4	1/4	2-1/2
29418	SB-3 L6 SVIDC	SB Burrs - Cylindrical Shape with End Cut	3/8	3/4	1/4	6-3/4
29419	SB-43SVIDC	SB Burrs - Cylindrical Shape with End Cut	1/8	9/16	1/8	1-1/2
29420	SB-5SVIDC	SB Burrs - Cylindrical Shape with End Cut	1/2	1	1/4	2-3/4
29421	SB-5SVIFM	SB Burrs - Cylindrical Shape with End Cut	1/2	1	1/4	2-3/4
29422	SB-5 L6 SVIDC	SB Burrs - Cylindrical Shape with End Cut	1/2	1	1/4	7

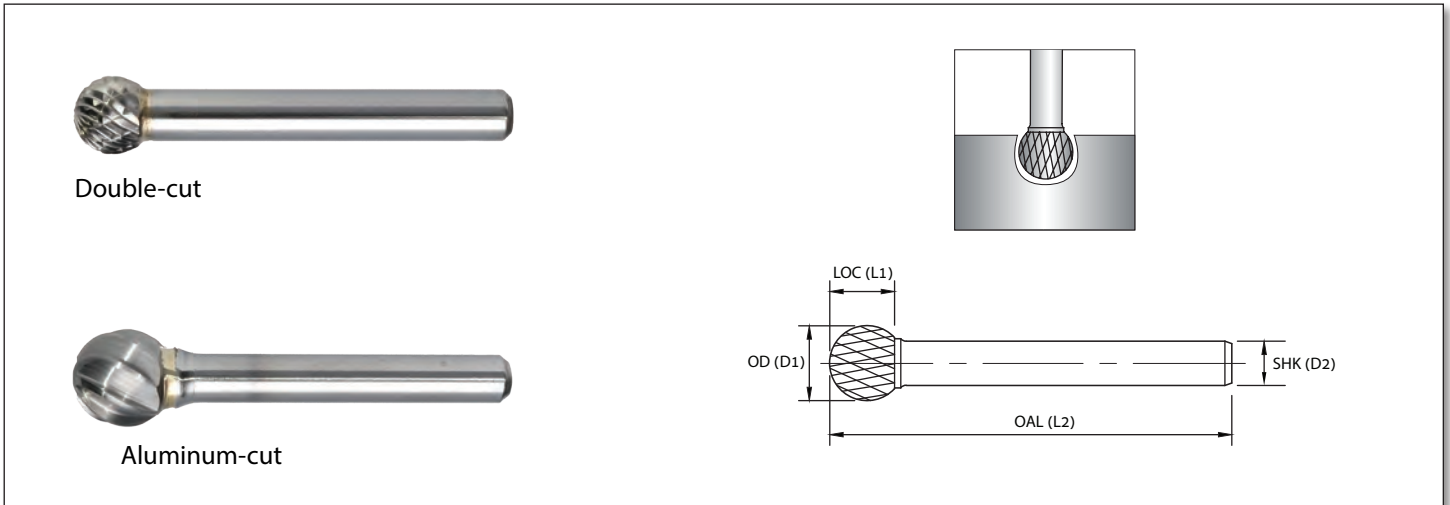
SC BURRS - RADIUS CYLINDRICAL SHAPE



Dimensions			
OD	LOC	SHK	OAL
(D1)	(L1)	(D2)	(L2)

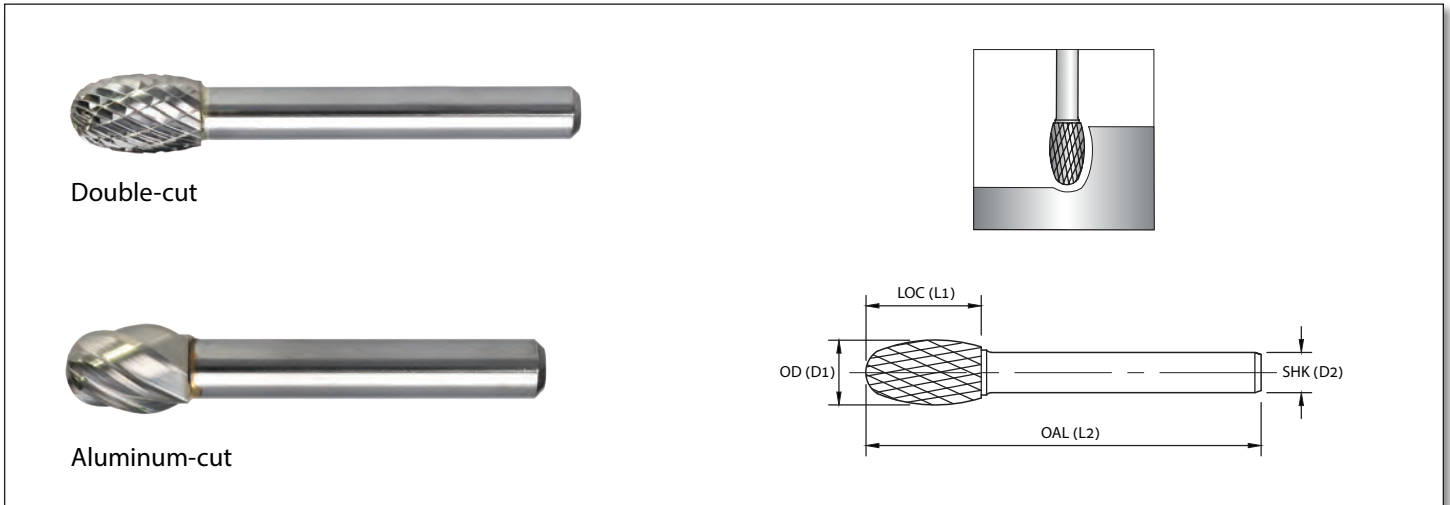
EDP Number	Ordering Code	Description	mm			
			OD (D1)	LOC (L1)	SHK (D2)	OAL (L2)
29320	SC-42SVMDC	SC Burrs - Radius Cylindrical Shape	3	14	3	38
29321	SC-42 L3 SVMDC	SC Burrs - Radius Cylindrical Shape	3	14	3	75
29322	SC-51SVMDC	SC Burrs - Radius Cylindrical Shape	6.3	12.7	3	50
29323	SC-1SVMDC	SC Burrs - Radius Cylindrical Shape	6	16	6	50
29324	SC-2SVMDC	SC Burrs - Radius Cylindrical Shape	8	19	6	64
29325	SC-3SVMF M	SC Burrs - Radius Cylindrical Shape	9.5	19	6	64
29326	SC-3SVMDC	SC Burrs - Radius Cylindrical Shape	9.5	19	6	64
29327	SC-3 L6 SVMDC	SC Burrs - Radius Cylindrical Shape	9.5	19	6	169
29328	SC-5SVMF M	SC Burrs - Radius Cylindrical Shape	12.7	25	6	70
29329	SC-5SVMDC	SC Burrs - Radius Cylindrical Shape	12.7	25	6	70
29330	SC-5SVM L6 DC	SC Burrs - Radius Cylindrical Shape	12.7	25	6	175
29331	SC-6SVMDC	SC Burrs - Radius Cylindrical Shape	16	25	6	70
			Inch			
29423	SC-1SVIDC	SC Burrs - Radius Cylindrical Shape	1/4	5/8	1/4	2
29424	SC-3SVIDC	SC Burrs - Radius Cylindrical Shape	3/8	3/4	1/4	2-1/2
29425	SC-3SVIF M	SC Burrs - Radius Cylindrical Shape	3/8	3/4	1/4	2-1/2
29426	SC-3 L6 SVIDC	SC Burrs - Radius Cylindrical Shape	3/8	3/4	1/4	6-3/4
29427	SC-42SVIDC	SC Burrs - Radius Cylindrical Shape	1/8	9/16	1/8	1-1/2
29428	SC-5SVIDC	SC Burrs - Radius Cylindrical Shape	1/2	1	1/4	2-3/4
29429	SC-5SVIF M	SC Burrs - Radius Cylindrical Shape	1/2	1	1/4	2-3/4
29430	SC-5 L6 SVIDC	SC Burrs - Radius Cylindrical Shape	1/2	1	1/4	7
29431	SC-51SVIDC	SC Burrs - Radius Cylindrical Shape	1/4	1/2	1/8	2

SD BURRS - BALL SHAPE



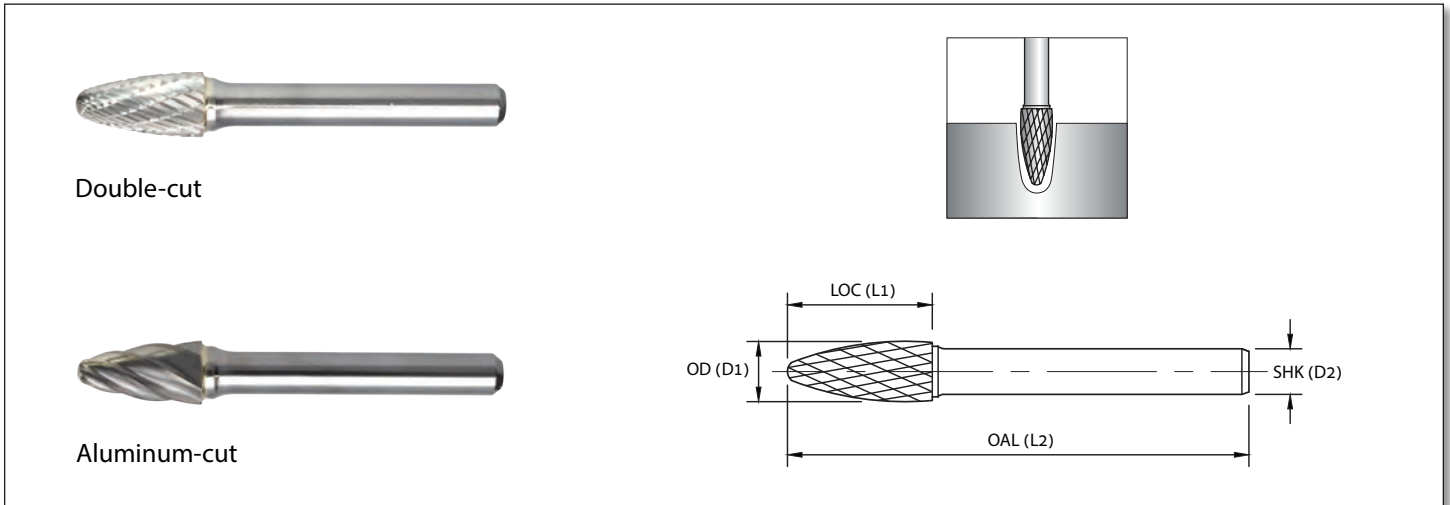
EDP Number	Ordering Code	Description	Dimensions			
			OD	LOC	SHK	OAL
			(D1)	(L1)	(D2)	(L2)
			mm			
29332	SD-42SVMDC	SD Burrs - Ball Shape	3	2.5	3	38
29333	SD-42 L 3SVMDC	SD Burrs - Ball Shape	3	2.5	3	75
29334	SD-51SVMDC	SD Burrs - Ball Shape	6.3	5	3	44
29335	SD-1SVMDC	SD Burrs - Ball Shape	6	5	6	50
29336	SD-2SVMDC	SD Burrs - Ball Shape	8	6.4	6	51.4
29337	SD-3SVMFM	SD Burrs - Ball Shape	9.5	8	6	53
29338	SD-3SVMDC	SD Burrs - Ball Shape	9.5	8	6	53
29339	SD-3 L 6SVMDC	SD Burrs - Ball Shape	9.5	8	6	158
29340	SD-5SVMFM	SD Burrs - Ball Shape	12.7	11	6	56
29341	SD-5SVMDC	SD Burrs - Ball Shape	12.7	11	6	56
29342	SD-5 L 6SVMDC	SD Burrs - Ball Shape	12.7	11	6	161
29343	SD-6SVMDC	SD Burrs - Ball Shape	16	14	6	59
			Inch			
29432	SD-1SVIDC	SD Burrs - Ball Shape	1/4	7/32	1/4	2
29433	SD-42SVIDC	SD Burrs - Ball Shape	1/8	1/8	1/8	1-1/2
29434	SD-3SVIDC	SD Burrs - Ball Shape	3/8	5/16	1/4	2-1/8
29435	SD-5SVIDC	SD Burrs - Ball Shape	1/2	7/16	1/4	2-1/4
29436	SD-5SVIFM	SD Burrs - Ball Shape	1/2	7/16	1/4	2-1/4
29437	SD-5 L 6SVIDC	SD Burrs - Ball Shape	1/2	7/16	1/4	6-1/2
29438	SD-51SVIDC	SD Burrs - Ball Shape	1/4	7/32	1/8	1-3/4

SE BURRS - OVAL SHAPE



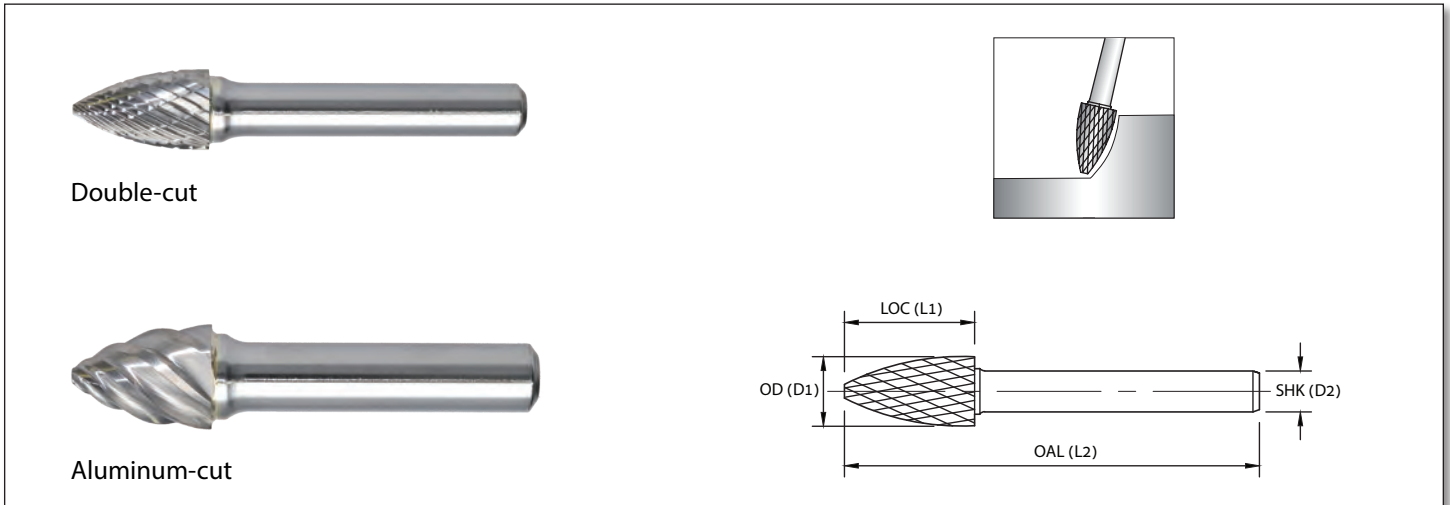
EDP Number	Ordering Code	Description	Dimensions			
			OD	LOC	SHK	OAL
			(D1)	(L1)	(D2)	(L2)
			mm			
29344	SE-41SVMDC	SE Burrs - Oval Shape	3	5.5	3	38
29345	SE-51SVMDC	SE Burrs - Oval Shape	6.3	9.5	3	47
29346	SE-1SVMDC	SE Burrs - Oval Shape	6	9.5	6	50
29347	SE-3SVMDC	SE Burrs - Oval Shape	9.5	16	6	61
29348	SE-5SVMDC	SE Burrs - Oval Shapes	12.7	22	6	67
29349	SE-6SVMDC	SE Burrs - Oval Shape	16	25	6	70
			Inch			
29439	SE-1SVIDC	SE Burrs - Oval Shape	1/4	3/8	1/4	2
29440	SE-3SVIDC	SE Burrs - Oval Shape	3/8	5/8	1/4	2-3/8
29441	SE-3SVIFM	SE Burrs - Oval Shape	3/8	5/8	1/4	2-3/8
29442	SE-3L6SVIDC	SE Burrs - Oval Shape	3/8	5/8	1/4	6-5/8
29443	SE-41SVIDC	SE Burrs - Oval Shape	1/8	7/32	1/8	1-1/2
29444	SE-5SVIDC	SE Burrs - Oval Shape	1/2	7/8	1/4	2-5/8
29445	SE-5SVIFM	SE Burrs - Oval Shape	1/2	7/8	1/4	2-5/8
29446	SE-5L6SVIDC	SE Burrs - Oval Shape	1/2	7/8	1/4	6-7/8

SF BURRS - RADIUS TREE SHAPE



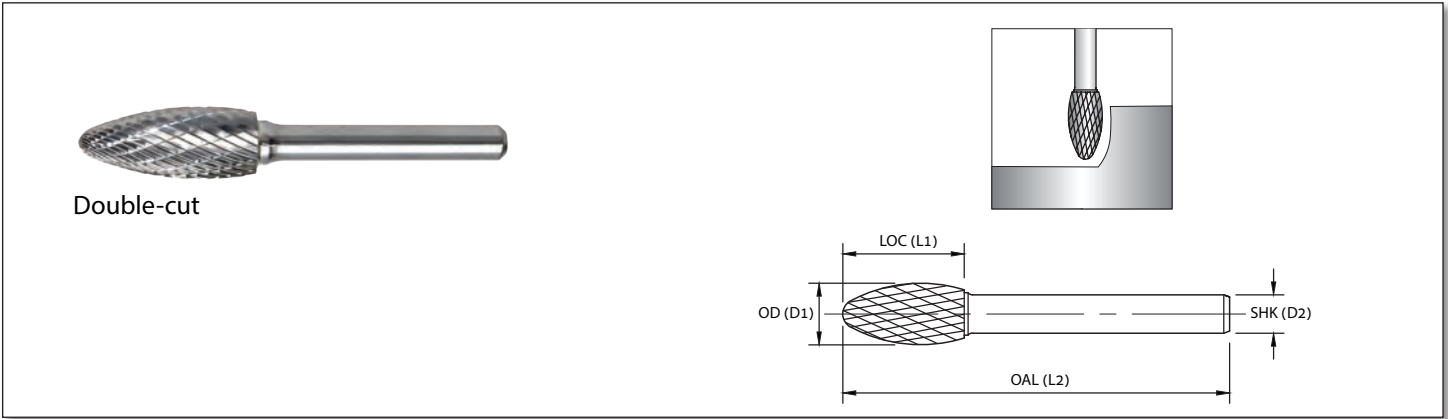
EDP Number	Ordering Code	Description	Dimensions			
			OD	LOC	SHK	OAL
			(D1)	(L1)	(D2)	(L2)
			mm			
29350	SF-42SVMDC	SF Burrs - Radius Tree Shape	3	12.7	3	38
29351	SF-42 L3 SVMDC	SF Burrs - Radius Tree Shape	3	12.7	3	75
29352	SF-51SVMDC	SF Burrs - Radius Tree Shape	6.3	12.7	3	50
29353	SF-1SVMDC	SF Burrs - Radius Tree Shape	6	16	6	50
29354	SF-3SVMFM	SF Burrs - Radius Tree Shape	9.5	19	6	64
29355	SF-3SVMDC	SF Burrs - Radius Tree Shape	9.5	19	6	64
29356	SF-3 L6 SVMDC	SF Burrs - Radius Tree Shape	9.5	19	6	169
29357	SF-5SVMFM	SF Burrs - Radius Tree Shape	12.7	25	6	70
29358	SF-5SVMDC	SF Burrs - Radius Tree Shape	12.7	25	6	70
29359	SF-5 L6 SVMDC	SF Burrs - Radius Tree Shape	12.7	25	6	175
29360	SF-6SVMDC	SF Burrs - Radius Tree Shape	16	25	6	70
			Inch			
29447	SF-1SVIDC	SF Burrs - Radius Tree Shape	1/4	5/8	1/4	2
29448	SF-3SVIDC	SF Burrs - Radius Tree Shape	3/8	3/4	1/4	2-1/2
29449	SF-3SVIFM	SF Burrs - Radius Tree Shape	3/8	3/4	1/4	2-1/2
29450	SF-3 L6 SVIDC	SF Burrs - Radius Tree Shape	3/8	3/4	1/4	6-3/4
29451	SF-42SVIDC	SF Burrs - Radius Tree Shape	1/8	1/2	1/8	1-1/2
29452	SF-5SVIDC	SF Burrs - Radius Tree Shape	1/2	1	1/4	2-3/4
29453	SF-5SVIFM	SF Burrs - Radius Tree Shape	1/2	1	1/4	2-3/4
29454	SF-5 L6 SVIDC	SF Burrs - Radius Tree Shape	1/2	1	1/4	7
29455	SF-6SVIDC	SF Burrs - Radius Tree Shape	5/8	1	1/4	2-3/4

SG BURRS - POINTED TREE SHAPE



EDP Number	Ordering Code	Description	Dimensions			
			OD	LOC	SHK	OAL
			(D1)	(L1)	(D2)	(L2)
			mm			
29361	SG-44SVMDC	SG Burrs - Pointed Tree Shape	3	12.7	3	38
29362	SG-51SVMDC	SG Burrs - Pointed Tree Shape	6.3	12.7	3	50
29363	SG-1SVMDC	SG Burrs - Pointed Tree Shape	6	16	6	50
29364	SG-2SVMDC	SG Burrs - Pointed Tree Shape	8	19	6	64
29365	SG-3SVMFEM	SG Burrs - Pointed Tree Shape	9.5	19	6	64
29366	SG-3SVMDC	SG Burrs - Pointed Tree Shape	9.5	19	6	64
29367	SG-5SVMFEM	SG Burrs - Pointed Tree Shape	12.7	25	6	70
29368	SG-5SVMDC	SG Burrs - Pointed Tree Shape	12.7	25	6	70
29369	SG-6SVMDC	SG Burrs - Pointed Tree Shape	16	25	6	70
			Inch			
29456	SG-1SVIDC	SG Burrs - Pointed Tree Shape	1/4	5/8	1/4	2
29457	SG-3SVIDC	SG Burrs - Pointed Tree Shape	3/8	3/4	1/4	2-1/2
29458	SG-3 L6 SVIDC	SG Burrs - Pointed Tree Shape	3/8	3/4	1/4	6-3/4
29459	SG-43SVIDC	SG Burrs - Pointed Tree Shape	1/8	3/8	1/8	1-1/2
29460	SG-5SVIDC	SG Burrs - Pointed Tree Shape	1/2	1	1/4	2-3/4
29461	SG-5 L6 SVIDC	SG Burrs - Pointed Tree Shape	1/2	1	1/4	7

SH BURRS - FLAME SHAPE

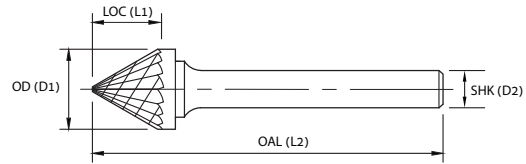
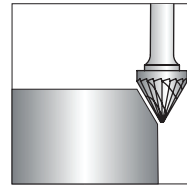


			Dimensions			
			OD	LOC	SHK	OAL
			(D1)	(L1)	(D2)	(L2)
			mm			
EDP Number	Ordering Code	Description				
29370	SH-41SVMDC	SH Burrs - Flame Shape	3	6.3	3	38
29371	SH-1SVMDC	SH Burrs - Flame Shape	6	12.7	6	50
29372	SH-2SVMDC	SH Burrs - Flame Shape	8	19	6	64
29373	SH-5SVMDC	SH Burrs - Flame Shape	12.7	32	6	77
29374	SH-6SVMDC	SH Burrs - Flame Shape	16	36	6	81
			Inch			
29462	SH-1SVIDC	SH Burrs - Flame Shape	1/4	1/2	1/4	2
29463	SH-2SVIDC	SH Burrs - Flame Shape	5/16	3/4	1/4	2-1/2
29464	SH-41SVIDC	SH Burrs - Flame Shape	1/8	1/4	1/8	1-1/2
29465	SH-5SVIDC	SH Burrs - Flame Shape	1/2	1-1/4	1/4	3

SJ BURRS - 60° CONE SHAPE



Double-cut



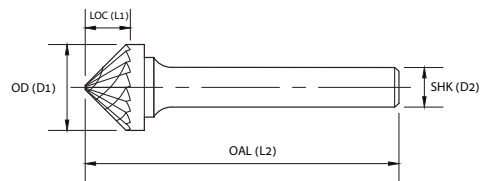
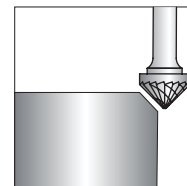
Dimensions			
OD	LOC	SHK	OAL
(D1)	(L1)	(D2)	(L2)

EDP Number	Ordering Code	Description	mm			
29375	SJ-1SVMDC	SJ Burrs - 60° Cone Shape	6	4	6	50
29376	SJ-3SVMDC	SJ Burrs - 60° Cone Shape	9.5	8	6	53
29377	SJ-5SVMDC	SJ Burrs - 60° Cone Shape	12.7	11	6	56
29378	SJ-6SVMDC	SJ Burrs - 60° Cone Shape	16	14.5	6	59.5

SK BURRS - 90° CONE SHAPE



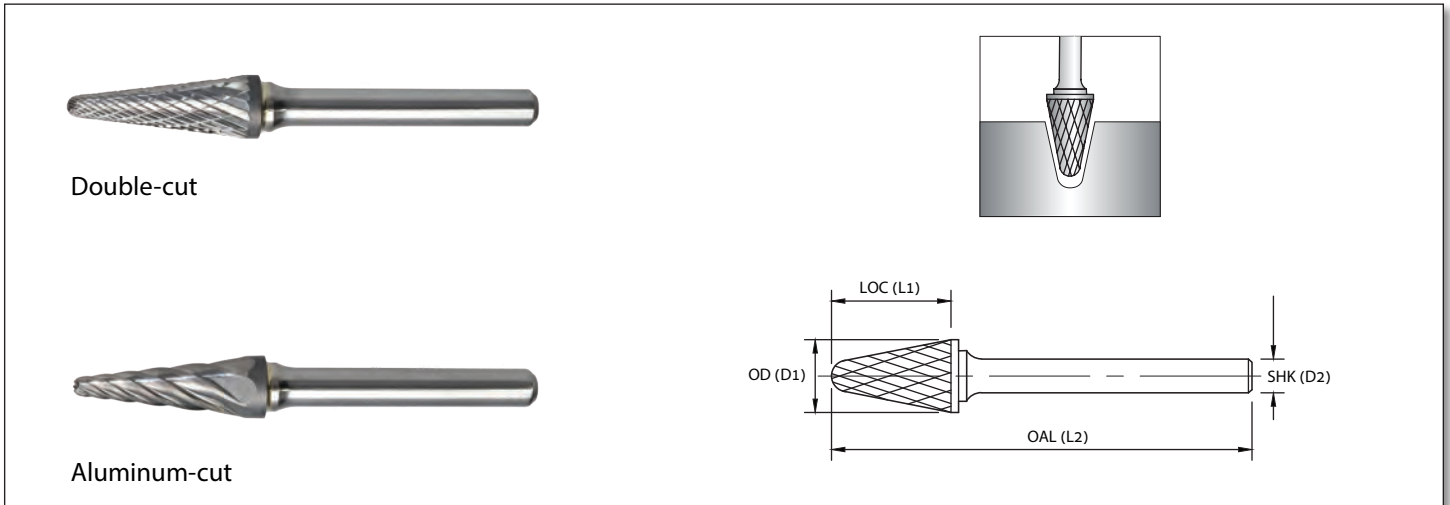
Double-cut



Dimensions			
OD	LOC	SHK	OAL
(D1)	(L1)	(D2)	(L2)

EDP Number	Ordering Code	Description	mm			
29379	SK-1SVMDC	SK Burrs - 90° Cone Shape	6	3	6	50
29380	SK-3SVMDC	SK Burrs - 90° Cone Shape	9.5	4.7	6	49.7
29381	SK-5SVMDC	SK Burrs - 90° Cone Shape	12.7	6.3	6	51.3
29382	SK-6SVMDC	SK Burrs - 90° Cone Shape	16	8	6	53

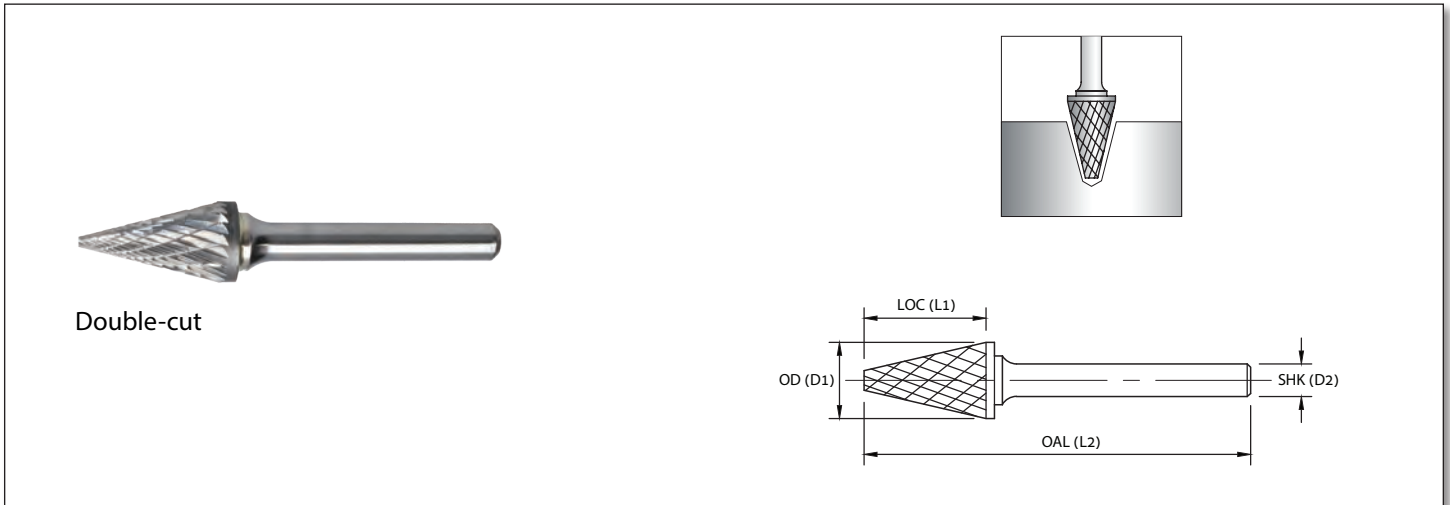
SL BURRS - RADIUS CONE SHAPE



Dimensions				
OD	LOC	SHK	OAL	Angle
(D1)	(L1)	(D2)	(L2)	DEG°

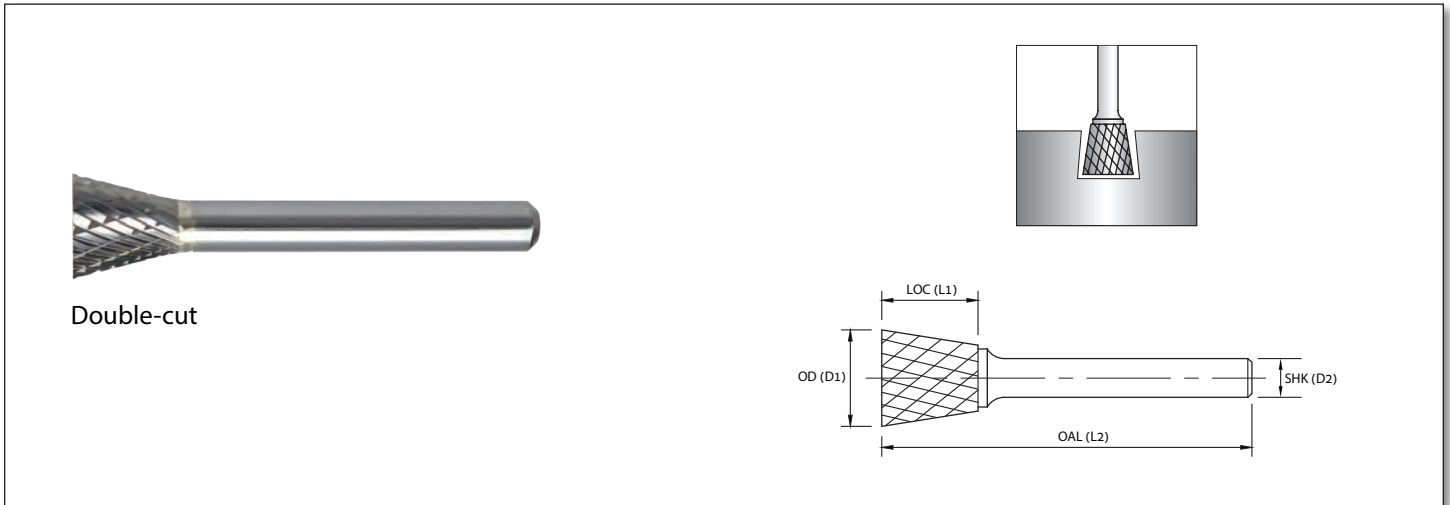
EDP Number	Ordering Code	Description	mm				
			OD (D1)	LOC (L1)	SHK (D2)	OAL (L2)	Angle DEG°
29383	SL-42SVMDC	SL Burrs - Radius Cone Shape	3	12.7	3	38	8
29384	SL-1SVMDC	SL Burrs - Radius Cone Shape	6	16	6	50	14
29385	SL-2SVMDC	SL Burrs - Radius Cone Shape	8	22	6	67	14
29386	SL-2SVMFM	SL Burrs - Radius Cone Shape	8	22	6	67	14
29387	SL-3SVML6DC	SL Burrs - Radius Cone Shape	9.5	27	6	177	14
29388	SL-4SVMFM	SL Burrs - Radius Cone Shape	12.7	28	6	73	14
29389	SL-4SVMDC	SL Burrs - Radius Cone Shape	12.7	28	6	73	14
29390	SL-4SVML6DC	SL Burrs - Radius Cone Shape	12.7	28	6	178	14
29391	SL-5SVMDC	SL Burrs - Radius Cone Shape	16	30	6	75	14
			Inch				
29466	SL-1SVIDC	SL Burrs - Radius Cone Shape	1/4	5/8	1/4	2	14
29467	SL-3SVIDC	SL Burrs - Radius Cone Shape	3/8	1-1/16	1/4	2-13/16	14
29468	SL-3SVIFM	SL Burrs - Radius Cone Shape	3/8	1-1/16	1/4	2-13/16	14
29469	SL-3L6SVIDC	SL Burrs - Radius Cone Shape	3/8	1-1/16	1/4	7-1/16	14
29470	SL-41SVIDC	SL Burrs - Radius Cone Shape	1/8	3/8	1/8	1-1/2	8
29471	SL-4SVIDC	SL Burrs - Radius Cone Shape	1/2	1-1/8	1/4	3-1/64	14
29472	SL-4SVIFM	SL Burrs - Radius Cone Shape	1/2	1-1/8	1/4	3-1/64	14
29473	SL-4L6SVIDC	SL Burrs - Radius Cone Shape	1/2	1-1/8	1/4	7-1/8	14
29474	SL-7SVIFM	SL Burrs - Radius Cone Shape	3/4	1-1/2	1/4	3-1/4	14

SM BURRS - POINTED CONE SHAPE



EDP Number	Ordering Code	Description	Dimensions				Angle DEG°
			OD (D1)	LOC (L1)	SHK (D2)	OAL (L2)	
			mm				
29392	SM-42SVMDC	SM Burrs - Pointed Cone Shape	3	11	3	38	14
29393	SM-43SVMDC	SM Burrs - Pointed Cone Shape	3	16	3	38	7
29394	SM-1SVMDC	SM Burrs - Pointed Cone Shape	6	12.7	6	50	12
29395	SM-2SVMDC	SM Burrs - Pointed Cone Shape	6	19	6	50	12
29396	SM-4SVMDC	SM Burrs - Pointed Cone Shape	9.5	16	6	61	28
29397	SM-5SVMDC	SM Burrs - Pointed Cone Shapes	12.7	22	6	67	28
			Inch				
29475	SM-1SVIDC	SM Burrs - Pointed Cone Shape	1/4	1/2	1/4	2	22
29476	SM-41SVIDC	SM Burrs - Pointed Cone Shape	1/8	11/32	1/8	1-1/2	12
29477	SM-4SVIDC	SM Burrs - Pointed Cone Shape	3/8	5/8	1/4	2-1/2	28
29478	SM-43SVIDC	SM Burrs - Pointed Cone Shape	1/8	5/8	1/8	1-1/2	7
29479	SM-5SVIDC	SM Burrs - Pointed Cone Shape	1/2	7/8	1/4	2-3/4	28

SN BURRS - INVERTED CONE SHAPE



EDP Number	Ordering Code	Description	Dimensions				Angle DEG°
			OD	LOC	SHK	OAL	
			(D1)	(L1)	(D2)	(L2)	
			mm				
29398	SN-42SVMDC	SN Burrs - Inverted Cone Shape	3	4	3	38	10
29399	SN-51SVMDC	SN Burrs - Inverted Cone Shape	6.3	6	3	44	10
29400	SN-2SVMDC	SN Burrs - Inverted Cone Shape	9.5	9.5	6	54.5	13
29401	SN-4SVMDC	SN Burrs - Inverted Cone Shape	12.7	12.7	6	57.7	28
29402	SN-6SVMDC	SN Burrs - Inverted Cone Shape	16	19	6	64	18

TROUBLESHOOTING

POSSIBLE PROBLEMS & SOLUTIONS	SOLUTIONS																					
	Excessive Force	Heat Due to Shank Friction	Worn-out Flutes	Jammed in the Workpiece	Tool Dropped	Wrong Positioning in Collet	Degraded Product Bearings	Deformed Shank	Unstable Performance	Use Coarser Geometry	Use Finer Geometry	Use Double Cut or Chip Breaker Geometry	Adjust the Feed for Soft Material	Increase Speed	Decrease Speed	Apply non-adhesive substance	Faster Feed Rate	Slower Feed	Abrasive Material	Poor Set-Up	Adjust for Better Support	
Braze Failure	X	X	X	X	X																	
Poor Hand Control						X	X	X	X		X	X									X	
Chipping/Cracking				X	X				X					X								
Carbide Fracture				X	X				X													
Clogging										X			X			X						
Tool Vibration														X	X		X	X			X	
Poor Finish						X	X	X	X		X			X	X		X				X	
Poor Tool Life		X	X			X	X	X	X					X	X		X	X	X	X	X	
Limited Handpiece Speed Range												X		X								
Increased Hardness of Workpiece	X		X							X		X			X			X				
Long Series Burrs																				X	X	

SHAVIV USA
by **vargus**
Leading Deburring Solutions

shavivusa.com

SHAVIV USA A Division of VNE Corporation
Main Warehouse

PO Box 1698
1149 Barberry Drive, Janesville, WI 53547
Tel: 1-800-828-8765, 608-756-4930
Fax: 608-741-7125
sales@vargususa.com

SHAVIV USA
Technical Support & Marketing

355 - 357 Remington Blvd.
Bolingbrook, IL 60440
Tel: (630)-296-0102
Fax: (630)-755-4620
shavivusa@aol.com

221-01916
INCH - USA
11 / 2023
EDITION 01